


# PRODUCT SHEET

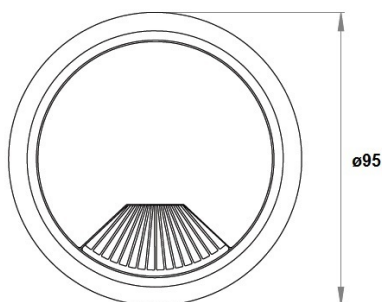
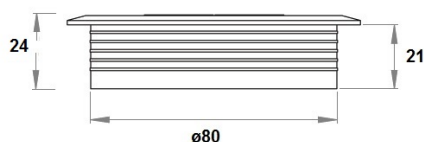
## Description:

Cable Set, Spring Lid,  $\varnothing 80 \times 21$ mm, ABS, Silver Light RAL 9006

## Item number:

25.20.075-0

Units	Box	Carton	HS Code	Barcode
Pcs.	20	500	3926300090	 5704866090759



## SISO A/S

Mileparken 11  
DK-2740 Skovlunde  
Denmark  
VAT: DK 24786013

Phone +45 45 830 900

[www.siso.dk](http://www.siso.dk)  
[siso@siso.dk](mailto:siso@siso.dk)

Danske Bank  
Nytorv Branch  
Copenhagen  
SWIFT: DABADKKK

Account no.  
4180 3112 112936  
IBAN Account  
DK7230003112112936